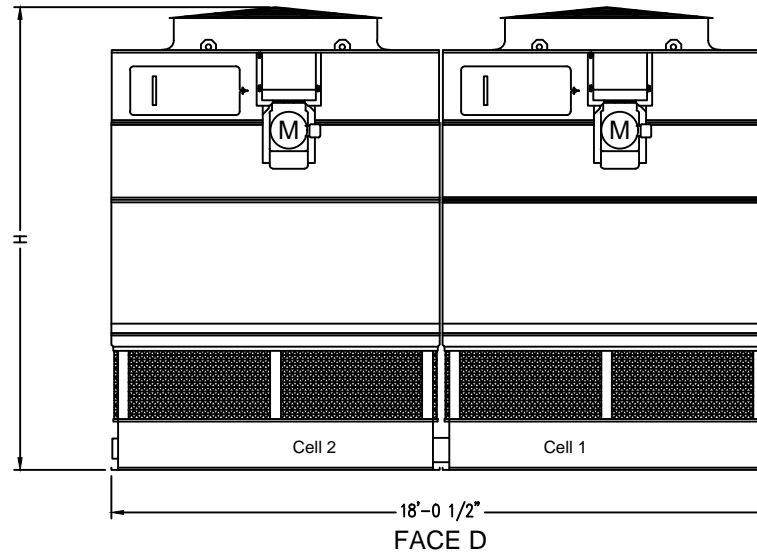
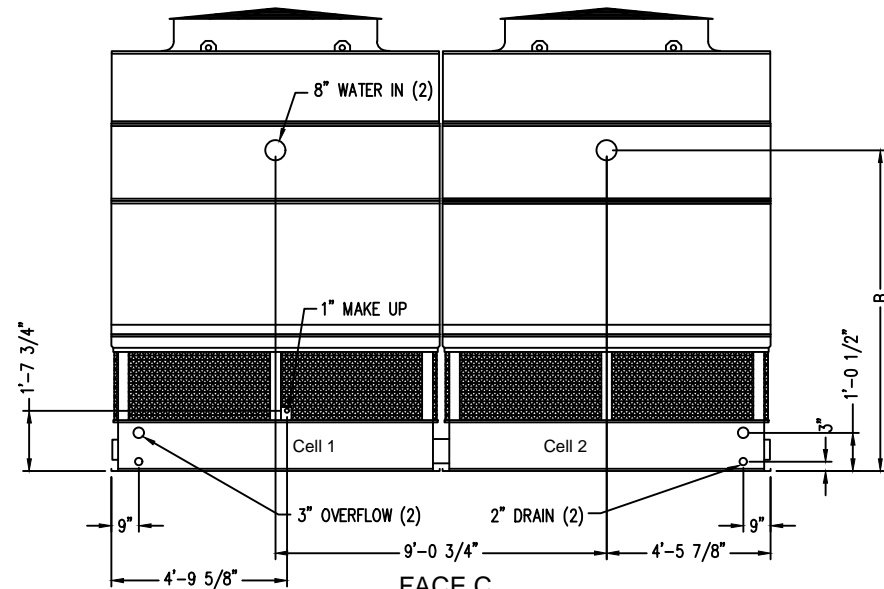


FACE A
(CONNECTIONS TYPICAL EACH END)



FACE D



FACE C

Notes

- 1) Unless otherwise indicated, connections 3" and smaller are NPT. Connections 4" and larger are grooved to suit a mechanical coupling and beveled for welding.
- 2) All dimensions are in feet and inches. Weights are in pounds and include options and accessories.
- 3) For weight loadings and support requirements, refer to the suggested steel support drawing.
- 4) The area above the fan discharge must be unobstructed.
- 5) Piping must not be supported by the tower inlet or outlet connections.
- 6) Unit weights include selected accessories.
- 7) M = Motor location.
- 8) External motor assembly ships loose for field installation.

Model Number	Shipping Weight	Operating Weight	Heaviest Section	"H"	"B"	"D"	"L"
PT2-0809A-1x2	7780	13930	2860	12'-6 3/8"	7'-10 3/4"	7'-2 1/4"	4'-8 7/8"
PT2-0809A-2x2	8380	14530	3160	13'-6 3/8"	8'-10 3/4"	8'-2 1/4"	4'-8 7/8"
PT2-0809A-3x2	9100	15250	3510	14'-6 3/8"	9'-10 3/4"	9'-2 1/4"	4'-8 7/8"
PT2-0809A-4x2	9580	16380	3510	15'-10 7/8"	11'-3 1/4"	9'-2 1/4"	6'-1 3/8"
PT2-0809A-5x2	10020	16820	3730	16'-10 7/8"	12'-3 1/4"	10'-2 1/4"	6'-1 3/8"

ORDER NO:

DATE:



BALTIMORE AIRCOIL COMPANY

PT2 Two Cell Unit Print
External Belt Drive

DRAWING NUMBER:
GEN-PT2-0809A 2-CELL