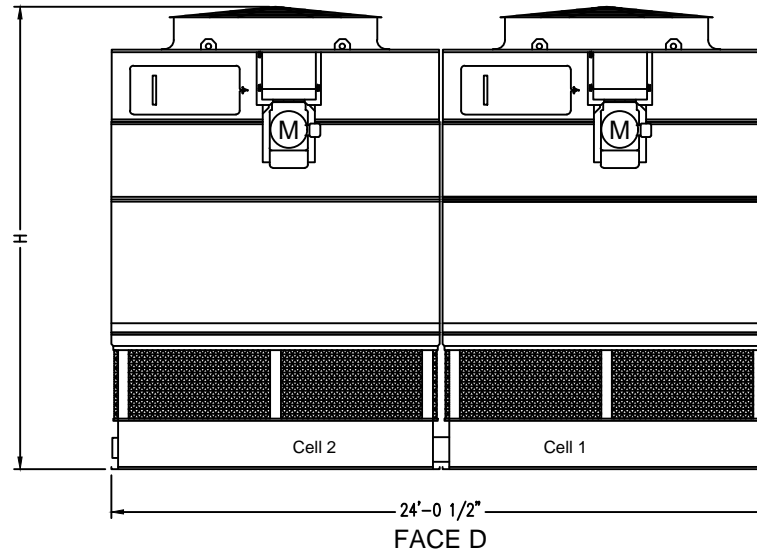
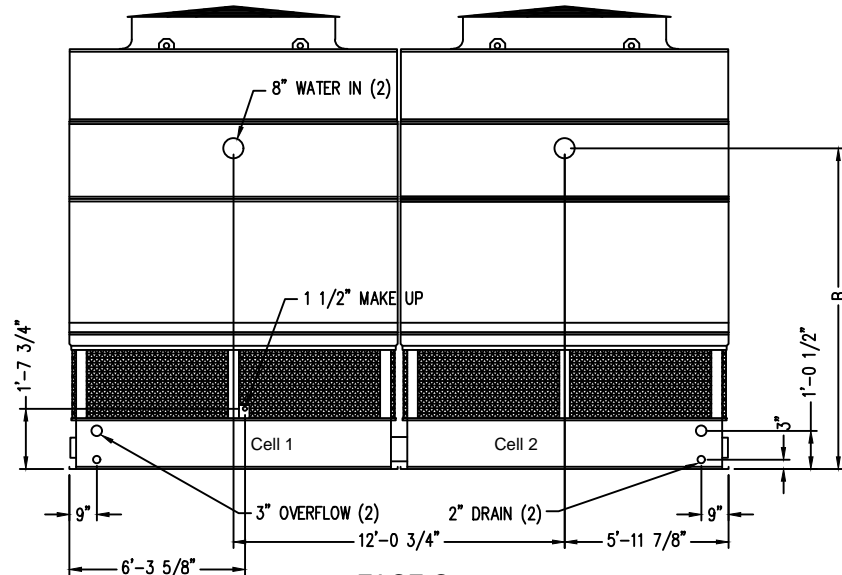


FACE A
(CONNECTIONS TYPICAL EACH END)



FACE D



FACE C

- Notes
- 1) Unless otherwise indicated, connections 3" and smaller are NPT. Connections 4" and larger are grooved to suit a mechanical coupling and beveled for welding.
 - 2) All dimensions are in feet and inches. Weights are in pounds and include options and accessories.
 - 3) For weight loadings and support requirements, refer to the suggested steel support drawing.
 - 4) The area above the fan discharge must be unobstructed.
 - 5) Piping must not be supported by the tower inlet or outlet connections.
 - 6) Unit weights include selected accessories.
 - 7) M = Motor location.
 - 8) External motor assembly ships loose for field installation.

Model Number	Shipping Weight	Operating Weight	Heaviest Section	"H"	"B"	"D"	"L"
PT2-0812A-1x2	9200	17470	3220	12'-8"	8'-3 1/4"	6'-11 3/4"	5'-1 3/8"
PT2-0812A-2x2	9900	18170	3540	13'-8"	9'-3 1/4"	7'-11 3/4"	5'-1 3/8"
PT2-0812A-3x2	10640	18910	3880	14'-8"	10'-3 1/4"	8'-11 3/4"	5'-1 3/8"
PT2-0812A-4x2	11120	20190	3880	16'-5"	12'-0 1/4"	8'-11 3/4"	6'-10 3/8"
PT2-0812A-5x2	11760	20820	4200	17'-5"	13'-0 1/4"	9'-11 3/4"	6'-10 3/8"

ORDER NO:

DATE:



BALTIMORE AIRCOIL COMPANY

**PT2 Two Cell Unit Print
External Belt Drive**

DRAWING NUMBER:
GEN-PT2-0812A 2-CELL