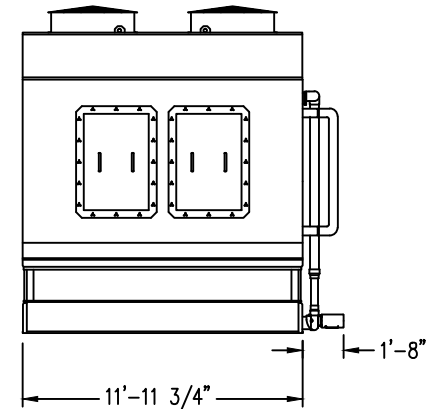


FACE D



FACE C

Notes

- 1) Drawings are not to scale. Refer to submittal drawings for actual dimensions and weights. All dimensions are in feet and inches, Weights are in pounds.
- 2) Unless otherwise indicated, connections 3" and smaller are MPT. Connections 4" and larger are grooved to suit a mechanical coupling and beveled for welding.
- 3) Dimensions showing location of coil and basin connections are approximate and should not be used for prefabrication of connecting piping.
- 4) For weight loadings and support requirements, refer to the suggested steel support drawing.
- 5) Heaviest section is the combined weight of fan and coil sections, refer to the rigging and assembly manual for suggested lifting method.
- 6) The area above the discharge must be unobstructed.
- 7) Do not support piping from unit connections. All necessary piping supports to be supplied by others.
- 8) M = Motor location.

Right Hand Unit

Model Number	Approx. Shipping Weight	Approx. Operating Weight	Heaviest Section Weight	F	H
PFI-0412N-2DXDZ-X2	5400	8250	4470	4'-0 5/8"	12'-5 1/2"
PFI-0412N-3DXDZ-X2	5730	8710	4800	4'-0 5/8"	12'-5 1/2"
PFI-0412N-3DXEZ-X2	6110	9110	5180	5'-3 5/8"	13'-8 1/2"
PFI-0412N-4DXDZ-X2	6140	9250	5210	4'-8 1/8"	13'-1"
PFI-0412N-4DXEZ-X2	7030	10350	6100	5'-11 1/8"	14'-4"
PFI-0412N-5DXEZ-X2	7710	11290	6780	6'-5 5/8"	14'-10 1/2"
PFI-0412N-6DXDZ-X2	7370	10900	6440	5'-11 1/8"	14'-4"
PFI-0412N-6DXEZ-X2	8010	11550	7080	7'-1 1/8"	15'-6"

ORDER NO:

DATE:



BALTIMORE AIRCOIL COMPANY

PFI Closed Circuit Cooling Tower Tabulated Unit Print

DRAWING NUMBER:
UP-PFI-0412