

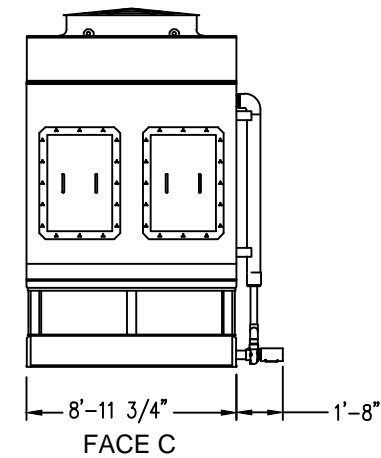
FACE D

Model Number	Approx. Shipping Weight	Approx. Operating Weight	Heaviest Section Weight	F	H
PFI-0709N-2DXDS-X1	6820	10150	5620	4'-0 5/8"	13'-7 3/8"
PFI-0709N-3DXDS-X1	7940	11720	6750	4'-0 5/8"	13'-7 3/8"
PFI-0709N-3DXES-X1	8490	12300	7290	5'-3 5/8"	14'-10 3/8"
PFI-0709N-4DXDS-X1	9000	13170	7800	4'-8 1/8"	14'-2 7/8"
PFI-0709N-4DXES-X1	9230	13300	8030	5'-11 1/8"	15'-5 7/8"
PFI-0709N-5DXDS-X1	10080	14630	8880	5'-3 5/8"	14'-10 3/8"
PFI-0709N-5DXES-X1	10340	14750	9130	6'-5 5/8"	16'-0 3/8"
PFI-0709N-6DXES-X1	10860	15440	9650	7'-1 1/8"	16'-7 7/8"

Notes

- 1) Drawings are not to scale. Refer to submittal drawings for actual dimensions and weights. All dimensions are in feet and inches, Weights are in pounds.
- 2) Unless otherwise indicated, connections 3" and smaller are MPT. Connections 4" and larger are grooved to suit a mechanical coupling and beveled for welding.
- 3) Dimensions showing location of coil and basin connections are approximate and should not be used for prefabrication of connecting piping.
- 4) For weight loadings and support requirements, refer to the suggested steel support drawing.
- 5) Heaviest section is the combined weight of fan and coil sections, refer to the rigging and assembly manual for suggested lifting method.
- 6) The area above the discharge must be unobstructed.
- 7) Do not support piping from unit connections. All necessary piping supports to be supplied by others.
- 8) M = Motor location.

Right Hand Unit



FACE C

ORDER NO:

DATE:



**BALTIMORE AIRCOIL COMPANY**

**PFI Closed Circuit Cooling Tower Tabulated Unit Print**

DRAWING NUMBER:  
**UP-PFI-0709**