

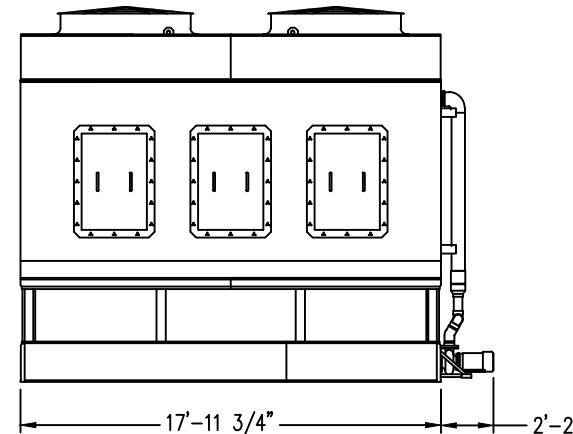
FACE D

Model Number	Approx. Shipping Weight	Approx. Operating Weight	Heaviest Section Weight	F	H
PFI-0718N-2DXDS-X2	12890	19460	10230	4'-0 5/8"	14'-3 7/8"
PFI-0718N-2DXES-X2	14190	20910	11520	4'-8 1/8"	14'-11 3/8"
PFI-0718N-3DXDS-X2	15370	22850	12710	4'-0 5/8"	14'-3 7/8"
PFI-0718N-3DXES-X2	14650	21570	11980	5'-3 5/8"	15'-6 7/8"
PFI-0718N-4DXDS-X2	17290	25550	14620	4'-8 1/8"	14'-11 3/8"
PFI-0718N-4DXES-X2	17890	26180	15220	5'-11 1/8"	16'-2 3/8"
PFI-0718N-5DXES-X2	18330	26760	15660	6'-5 5/8"	16'-8 7/8"
PFI-0718N-6DXDS-X2	18350	27030	15680	5'-11 1/8"	16'-2 3/8"
PFI-0718N-6DXES-X2	20440	29530	17770	7'-1 1/8"	17'-4 3/8"

Notes

- 1) Drawings are not to scale. Refer to submittal drawings for actual dimensions and weights. All dimensions are in feet and inches, Weights are in pounds.
- 2) Unless otherwise indicated, connections 3" and smaller are MPT. Connections 4" and larger are grooved to suit a mechanical coupling and beveled for welding.
- 3) Dimensions showing location of coil and basin connections are approximate and should not be used for prefabrication of connecting piping.
- 4) For weight loadings and support requirements, refer to the suggested steel support drawing.
- 5) Heaviest section is the combined weight of fan and coil sections, refer to the rigging and assembly manual for suggested lifting method.
- 6) The area above the discharge must be unobstructed.
- 7) Do not support piping from unit connections. All necessary piping supports to be supplied by others.
- 8) M = Motor location.

Right Hand Unit



FACE C

ORDER NO:

DATE:



BALTIMORE AIRCOIL COMPANY

PFI Closed Circuit Cooling Tower Tabulated Unit Print

DRAWING NUMBER:
UP-PFI-0718