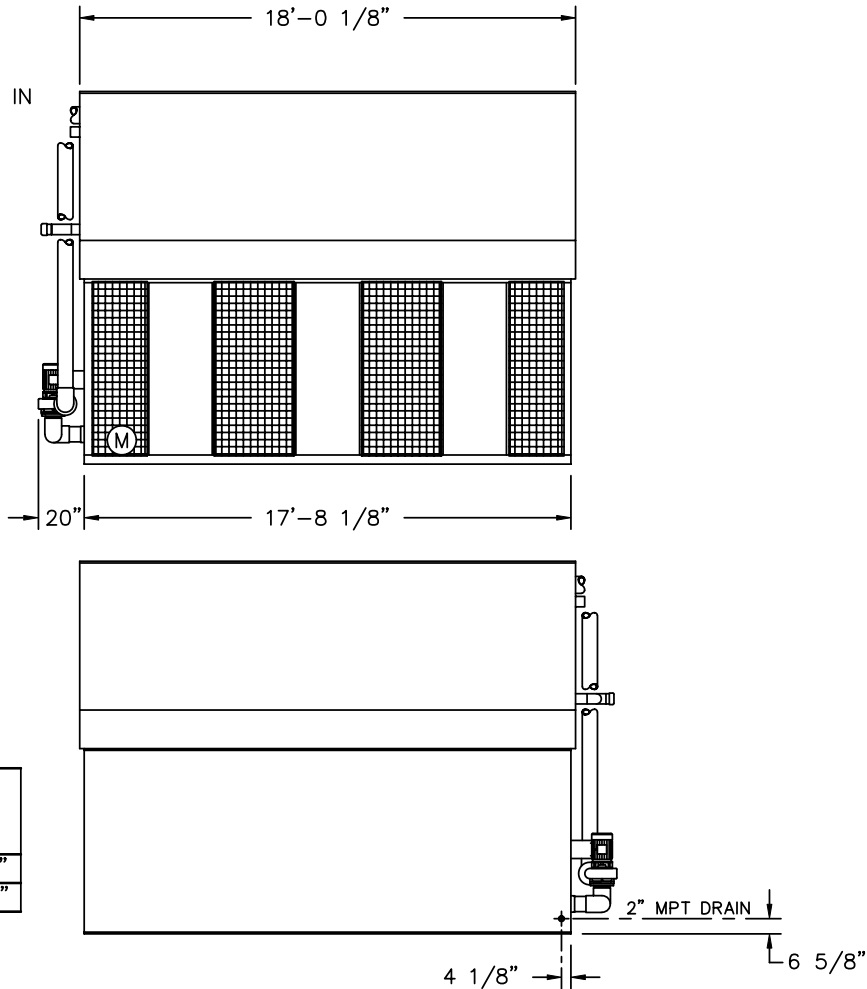
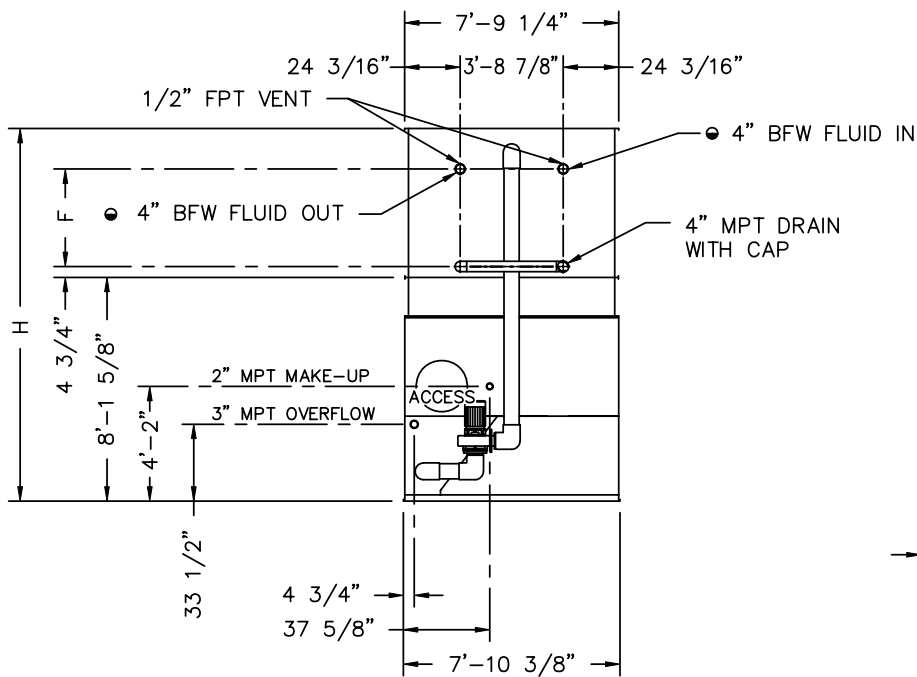


2000© Baltimore Aircoil Company. All Rights Reserved.



- BFW BEVELED FOR WELDING.
- Ⓜ FAN MOTOR LOCATION.

MODEL NO.	APPROX. SHIPPING WEIGHT	APPROX. OPERATING WEIGHT	HEAVIEST SECTION (COIL)	F	H
VF1-144N-22	16430	25610	10390	33 1/4"	12'-9 1/8"
VF1-144N-32	18490	28480	12570	42 1/2"	13'-6 3/8"

- NOTES:
1. ALL DIMENSIONS ARE IN FEET AND INCHES. WEIGHTS ARE IN POUNDS.
  2. UNLESS OTHERWISE INDICATED, ALL CONNECTIONS 6 INCHES AND SMALLER ARE MPT AND CONNECTIONS 8 INCHES AND LARGER ARE BEVELED FOR WELDING.
  3. DIMENSIONS SHOWING LOCATION OF COIL CONNECTIONS ARE APPROXIMATE AND SHOULD NOT BE USED FOR PREFABRICATION OF CONNECTING PIPING.
  4. FOR SUPPORT REQUIREMENTS, REFER TO THE SUGGESTED STEEL SUPPORT DRAWING.

B.A.C.  
ORDER NO:  
  
DATE:



RIGHT HAND UNIT  
END OUTLET WITH PUMP  
DRAWING NUMBER:  
BAC-11735A

-